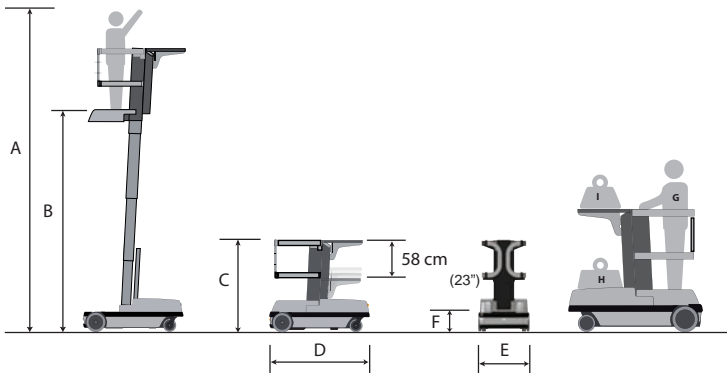
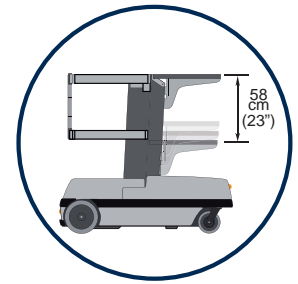


# Sprint





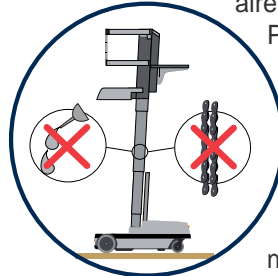
Material tray is electrically operated by a button in the upper control box



TECHNICAL DATA	METRIC		US
<b>Max. working Height</b>	mm 5350	A	17'6"
<b>Max Platform Height</b> (Upright fully extended)	mm 3350	B	11'
<b>Height Stowed</b>	mm 1441	C	56.7"
<b>Length Stowed</b>	mm 1500	D	59.05"
<b>Width</b>	mm 808	E	31.8"
<b>Platform Entrance Height</b>	mm 356	F	14"
<b>Occupants</b>	1		1
<b>Unit Gross Weight</b>	660 kg		1455 Lbs
<b>Drive Speed stowed</b>	5 km/h		3.1 mph
<b>Drive Speed raised</b>	1,2 km/h		0.74 mph
<b>Max Gradeability</b>	35%		35%
<b>Raise/Lower Speed</b>	18/14 sec		18/14 sec
<b>Turning Radius Outside</b>	1600		63'
<b>Driving System</b>	Two-Handed Proportional		
<b>Tire</b>	Solid Rubber Non Marking		
<b>Tilt Sensor Cut Out</b>	Standard		
<b>Turning Radius Inside</b>	Zero		
<b>CAPACITIES</b>			
<b>Operator's bay capacity</b>	130Kg	G	286 Lbs
<b>Transport hood tray capacity</b>	113 Kg	H	248.9 Lbs
<b>Materials tray capacity</b>	90 Kg	I	198.2 Lbs
<b>POWER</b>			
<b>Batteries</b>	N 04, 6V 245 Ah 20-Hr Rate		
<b>Power</b>	24 V c.c.		
<b>Load network power</b>	110/220 V c.a.		
<b>Autonomy</b> (On one charge)	km 30		18.6 Miles

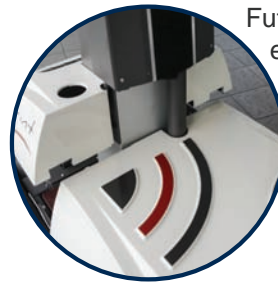


Loading platform at maximum height corresponds to the column. It is very easy to place even heavy packages using the column as the setting base and letting it slide into the material tray



The revolutionary raising system already created by BRAVI PLATFORMS for its mobile platform models is a radical change for this business segment. The column in special extruded aluminum alloy is completely without any need of maintenance.

- No more chains to be inspected every year
- No more grease on the mast
- No maintenance required



Futuristic canopies are ergonomically designed. Completely sealed to enhance protection against shocks and damages caused by debris falling from above.

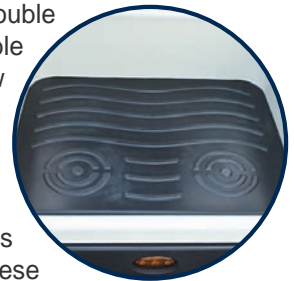
Acceleration of forward/backward movement is proportional and positioned near the basket raising and lowering button, to enable these movements even during forward movement.



All the functions are operable without having to move the hand from the accelerator, for maximum operator comfort. Ignition key on board the platform, easy to be reached.



Safety position with double sensor pedal and double hand sensor allow activation of the functions. These safety devices serve to guarantee the stable position of the operator, with both hands on the controls before these become activated.



More than 30Km ( 18.5 Miles) on one battery charge!